

# SLUDGE DEWATERING SYSTEM

## SDW 25 TO SDW 150



### FEATURES

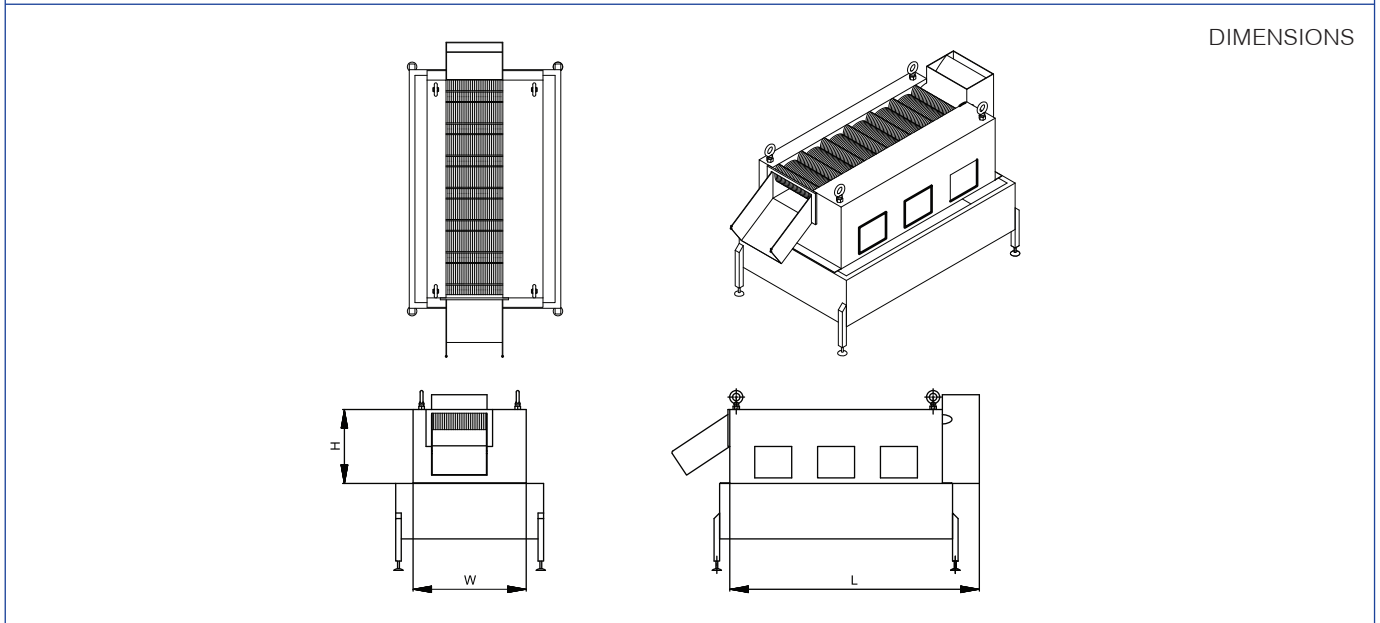
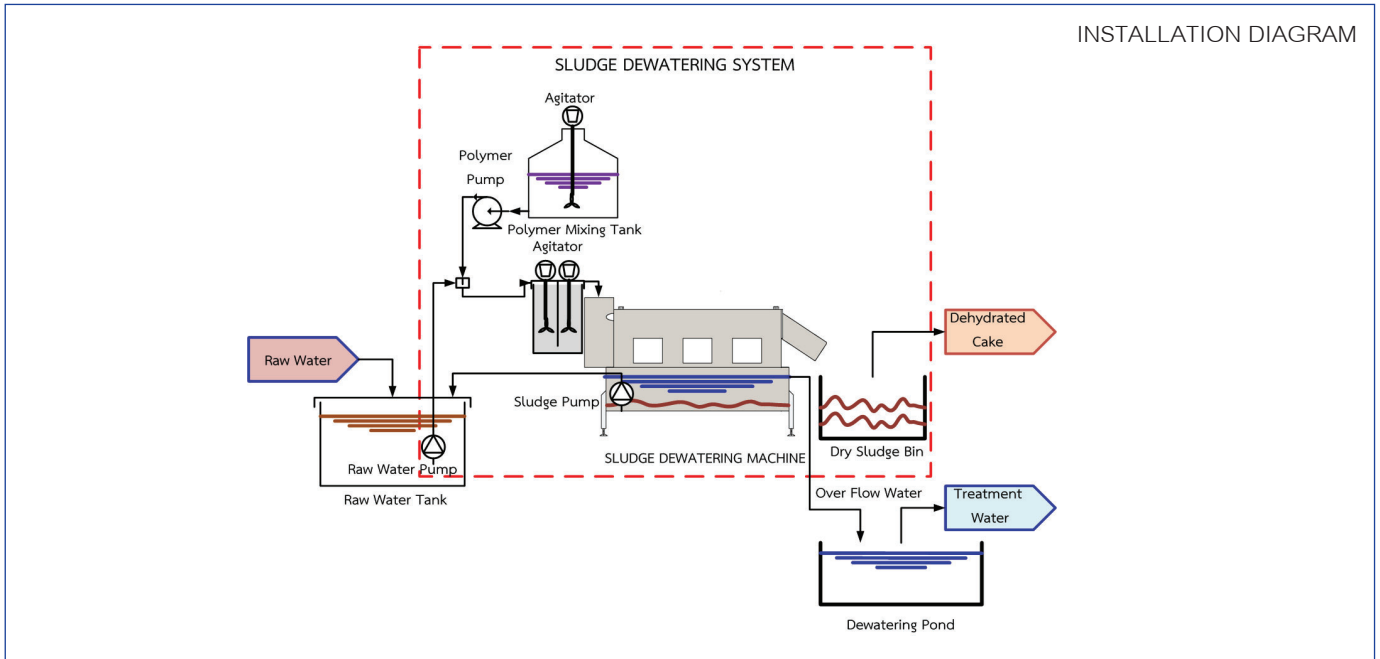
- ➔ Outstanding performance for any oval plate separator.
- ➔ Oval plate separator for environmental-friendly primary processing.
- ➔ No noise or vibrations achieved through principles.
- ➔ The clog-free slits and stable treatment capacity.
- ➔ Simple structure makes maintenance easy.
- ➔ Suitable for leftover food treatment, livestock industrial, public sewage treatment, sediment and sludge treatment.

### SPECIFICATION

Model	Capacity m <sup>3</sup> /hr	Number of oval plate rows	Nominal Treatment width (mm)	Pitch (mm)
SDW 25	2.5	12	300	1.0
SDW 50	5.0	12	600	1.0
SDW 100	10.0	12	800	1.0
SDW 150	15.0	12	1200	1.0

Note:

1. Value reference 2% cocentration.
2. It water varies deoending on the density or properties of the treatment.



TECHNICAL DATA					DIMENSIONS			
Model	Product Code Option	Capacity m3/hr	Rated Voltage (V)	Motor Power Consumption (kW)	L (mm)	W (mm)	H (mm)	Weight (kg)
SDW 25	SDW0025N000ST000000	2.5	220/230V 50/60 Hz	0.2	1150	612	400	200
SDW 50	SDW0050N000ST000000	5.0		0.4	1483	912	400	250
SDW 100	SDW0100N000ST000000	10.0		0.75	1450	1180	465	300
SDW 150	SDW0150N000ST000000	15.0		0.75	1450	1580	465	350

Note :

1. The product must be installed by skilled persons. All ineffective results will be caused by none professional installation.
2. Specifications are subject to change without prior notice.

